

Magnetic Sensor IC

Latch Detection High Performance Hall-Effect Sensor IC



AS1604

● General Description

Using BiCMOS process, the AS1604 is designed for high performance latch detection hall-effect application, such as automotive, industrial, electric tools, home appliances, rotor position sensing, brushless DC motor etc. The hall IC integrated an on-chip hall voltage generator for magnetic sensing, a comparator that amplifiers the hall voltage, hall sensor with dynamic offset cancellation system, an pull-up resistance, and a Schmitt trigger to provide switching hysteresis for noise rejection, and a voltage regulator for operation with supply voltage of 2.8V to 24V.

AC1604 is designed to respond to alternating North and South poles. White the magnetic flux density (B) is larger than operate point (B_{OP}), the output will be turned on (low), the output is held until the magnetic flux density (B) is lower than release point (B_{RP}), then turn off (high).

The device is available in SSOT23-3L, SOT23-3L and SIP-3L Package and is rated over the -40°C to 150°C. the package is RoHS compliant.

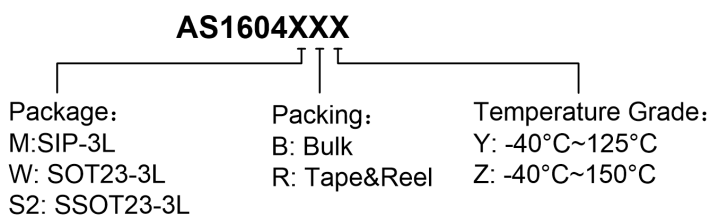
● Features

- High Performance BiCMOS Process Tech.
- Input Voltage Range : 2.8V to 24V
- Resistant to physical stress
- Bipolar Latch Operation
- High Sensitivity Hall Sensor
- High Chopping Frequency
- Magnetic Sensitivity (typical)
 $B_{OP}=\pm 17\text{Gauss}$, $B_{RP}=\pm 17\text{Gauss}$
- Integrated Pull-up Resistance
- Small Solution Size
- RoHS Compliant
- SIP-3L, SSOT23-3L and SOT23-3L Packages
- -40°C to +150 °C Temperature Range

● Applications

- Electric Tools
- Automotive, Home appliances, Industrial
- Rotor Position Sensing and Flow Meters
- Brushless DC Motor/Fan
- Speed Measurement
- Revolution Counting
- Valve and Solenoid Status
- Proximity Sensing
- Tachometers
- Magnetic Encoder

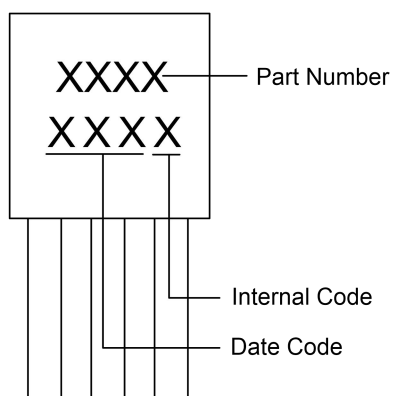
■ Ordering Information



Part Number	B_{OP} (Gauss)	B_{RP} (Gauss)	Package Type	Package Qty	Temperature	Eco Plan
AS1604MBY	+17	-17	SIP-3L	1000pcs/Package	-40~125°C	RoHS
AS1604S2RY	+17	-17	SSOT23-3L	7-in reel 3000pcs/reel	-40~125°C	RoHS
AS1604WRY	-17	+17	SOT23-3L	7-in reel 3000pcs/reel	-40~125°C	RoHS
AS1604MBZ	+17	-17	SIP-3L	1000pcs/Package	-40~150°C	RoHS
AS1604S2RZ	+17	-17	SSOT23-3L	7-in reel 3000pcs/reel	-40~150°C	RoHS
AS1604WRZ	-17	+17	SOT23-3L	7-in reel 3000pcs/reel	-40~150°C	RoHS

■ Marking Information

SIP-3L:



SOT23-3L/SSOT23-3L:

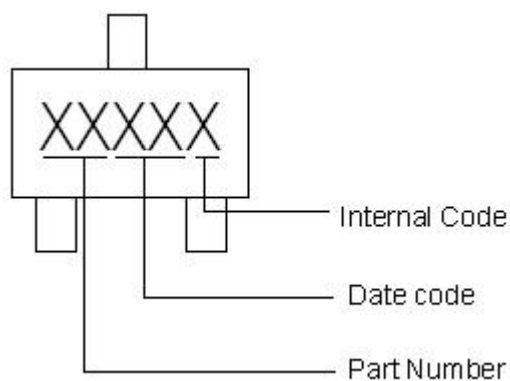
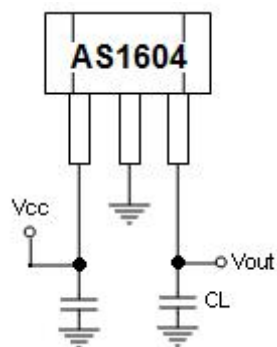
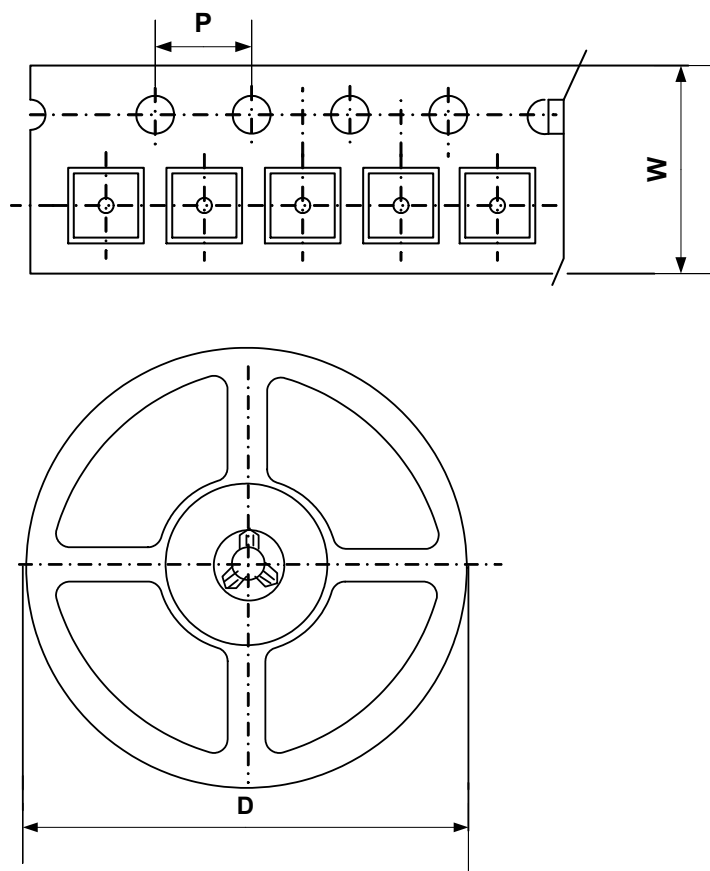
**■ Typical Application Circuit**

Figure 1, Typical Application Circuit of AS1604

■ **Packing Information**

SOT23-3L/SSOT23-3L:



Package Type	Carrier Width (W)	Pitch (P)	Reel Size(D)	Packing Minimum
SOT23-3L	8.0±0.1 mm	4.0±0.1 mm	180±1 mm	3000pcs
SSOT23-3L	8.0±0.1 mm	4.0±0.1 mm	180±1 mm	3000pcs

Note: Carrier Tape Dimension, Reel Size and Packing Minimum

■ **Packing Information**

1. Packing type: Bulk
2. Packing minimum: 1000pcs