

Magnetic Sensor IC

Unipolar Detection High Performance Hall-Effect Sensor IC



AS1704

● General Description

Using Bipolar process, the AS1704 is designed for high performance unipolar detection hall-effect application, such as home appliances, rotor position sensing, brushless DC motor etc. The hall IC integrated an on-chip hall voltage generator for magnetic sensing, a comparator that amplifiers the hall voltage, hall sensor with offset cancellation system, an pull-up resistance, and a Schmitt trigger to provide switching hysteresis for noise rejection, and a voltage regulator for operation with supply voltage of 3.8V to 40V.

AS1704 is designed to respond to alternating North or South poles. While the magnetic flux density (B) is larger than operate point (B_{OP}), the output will be turned on (low), the output is held until the magnetic flux density (B) is lower than release point (B_{RP}), then turn off (high).

The device is available in SIP-3L and SOT23-3L Package and is rated over the -40°C to 150°C . the package is RoHS compliant.

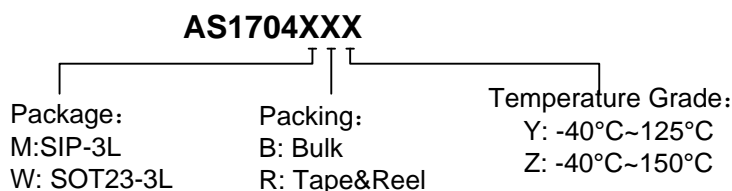
● Features

- High Performance Bipolar Process Tech.
- Input Voltage Range : 3.8V to 40V
- Resistant to physical stress
- Unipolar Latch Operation
- High Sensitivity Hall Sensor
- Magnetic Sensitivity (typical)
 $B_{OP}=80\text{Gauss}$, $B_{RP}=55\text{Gauss}$
- Need Pull-up Resistance
- Reverse Voltage Protection: -40V
- Small Solution Size
- RoHS Compliant
- SIP-3L and SOT23-3L Packages
- -40°C to $+150^{\circ}\text{C}$ Temperature Range

● Applications

- Electric Tools
- Automotive, Home appliances, Industrial
- Rotor Position Sensing and Flow Meters
- Brushless DC Motor/Fan
- Speed Measurement
- Revolution Counting
- Valve and Solenoid Status
- Proximity Sensing
- Tachometers
- Magnetic Encoder

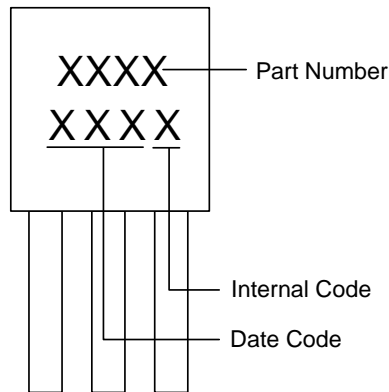
■ Ordering Information



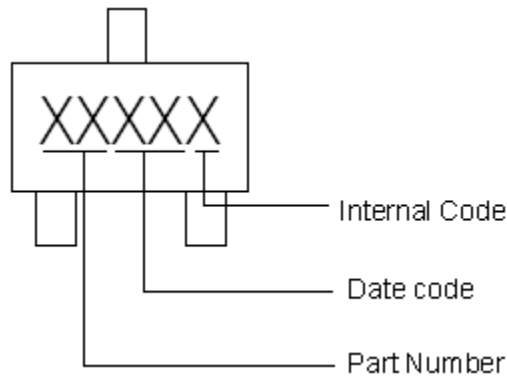
Part Number	B_{OP}/B_{RP} (Gauss)	Package Type	Package Qty	Temperature	Eco Plan
AS1704MBZ	80/55	SIP-3L	1K/Package	$-40\sim 150^{\circ}\text{C}$	RoHS
AS1704WRZ	80/55	SOT23-3L	7-in reel 3000pcs/reel	$-40\sim 150^{\circ}\text{C}$	RoHS
AS1704MBY	80/55	SIP-3L	1K/Package	$-40\sim 125^{\circ}\text{C}$	RoHS
AS1704WRy	80/55	SOT23-3L	7-in reel 3000pcs/reel	$-40\sim 125^{\circ}\text{C}$	RoHS

■ **Marking Information**

SIP-3L



SOT23-3L



■ **Typical Application Circuit**

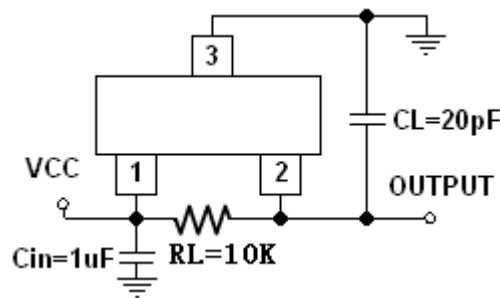
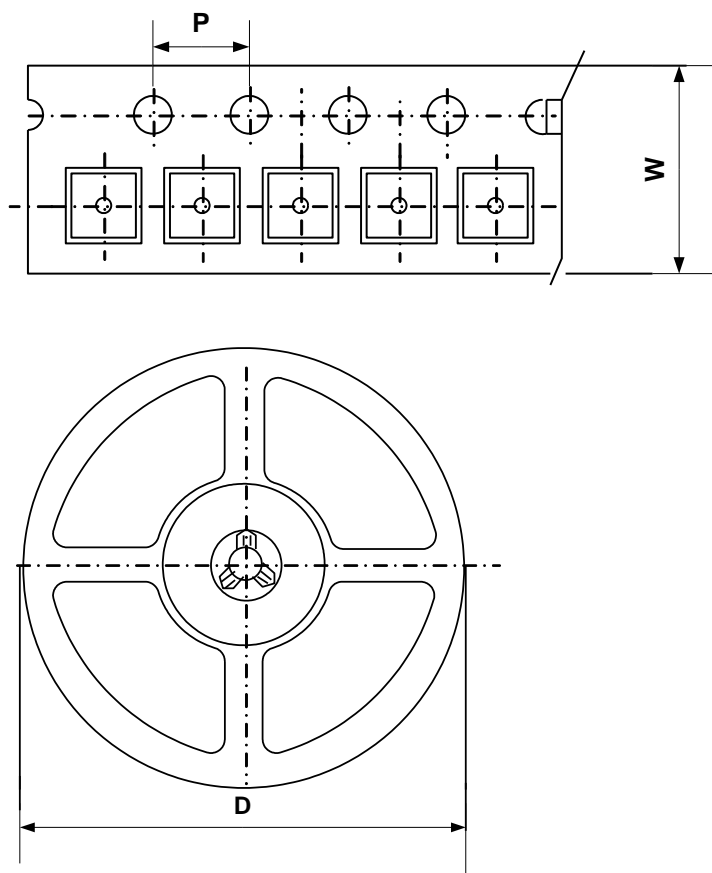


Figure 1, Typical Application Circuit of AS1704

■ **Packing Information**

SOT23-3L



Package Type	Carrier Width (W)	Pitch (P)	Reel Size(D)	Packing Minimum
SOT23-3L	8.0±0.1 mm	4.0±0.1 mm	180±1 mm	3000pcs

Note: Carrier Tape Dimension, Reel Size and Packing Minimum

■ **Packing Information**

1. Packing type: Bulk
2. Packing minimum: 1000pcs