

Magnetic Sensor ICs

Unipolar Detection High Performance Hall-Effect Sensor IC



AS1777

● General Description

Using BCD process, the AS1777 is designed for high performance unipolar detection hall-effect application, such as home appliances, rotor position sensing, brushless DC motor etc. The hall IC integrated an on-chip hall voltage generator for magnetic sensing, a comparator that amplifiers the hall voltage, hall sensor with dynamic offset cancellation system, an pull-up resistance, and a Schmitt trigger to provide switching hysteresis for noise rejection, and a voltage regulator for operation with supply voltage of 2.8V to 40V.

AS1777 is designed to respond to **North poles**. While the magnetic flux density (B) is larger than operate point (B_{OP}), the output will be turned on (low), the output is held until the magnetic flux density (B) is lower than release point (B_{RP}), then turn off (high).

The device is available in SIP-3L and SOT23-3L Package and is rated over the -40°C to 150°C . the package is RoHS compliant.

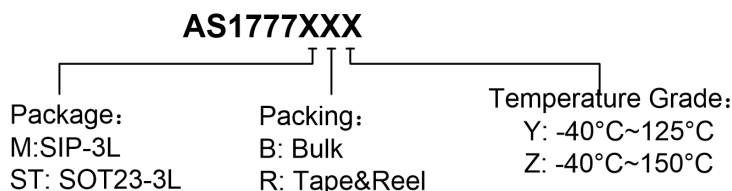
● Features

- High Performance BCD Process Tech.
- Input Voltage Range : 2.8V to 40V
- Resistant to physical stress
- Unipolar Latch Operation
- High Sensitivity Hall Sensor
- High Chopping Frequency
- Magnetic Sensitivity (typical)
 $B_{OP}=-150\text{Gauss}$, $B_{RP}=-120\text{Gauss}$
- **Need Pull-up Resistance**
- Reverse Voltage Protection: **-28V**
- Small Solution Size
- RoHS Compliant
- SIP-3L and SOT23-3L Packages
- -40°C to $+150^{\circ}\text{C}$ Temperature Range

● Applications

- Electric Tools
- Automotive, Home appliances, Industrial
- Rotor Position Sensing and Flow Meters
- Brushless DC Motor/Fan
- Speed Measurement
- Revolution Counting
- Valve and Solenoid Status
- Proximity Sensing
- Tachometers
- Magnetic Encoder

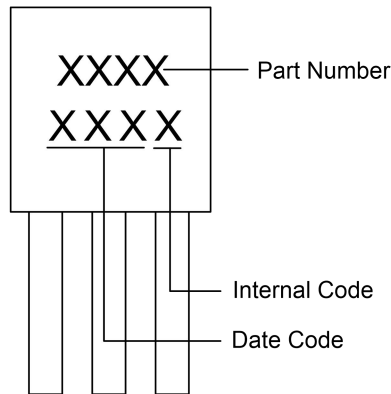
■ Ordering Information



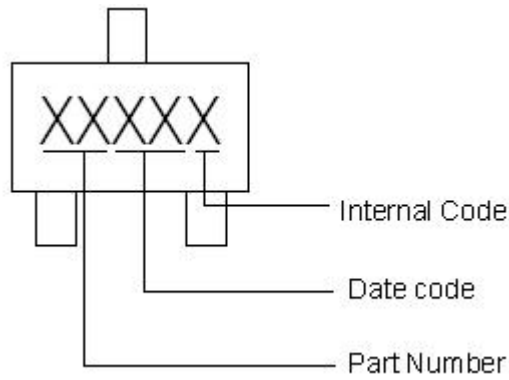
| Part Number | B_{OP}/B_{RP} (Gauss) | Package Type | Package Qty | Temperature | Eco Plan |
|-------------|-------------------------|--------------|------------------------|-------------------------------|----------|
| AS1777MBY | -150/-120 | SIP-3L | 1K/Package | $-40\sim 125^{\circ}\text{C}$ | RoHS |
| AS1777STRY | -150/-120 | SOT23-3L | 7-in reel 3000pcs/reel | $-40\sim 125^{\circ}\text{C}$ | RoHS |
| AS1777MBZ | -150/-120 | SIP-3L | 1K/Package | $-40\sim 150^{\circ}\text{C}$ | RoHS |
| AS1777STRZ | -150/-120 | SOT23-3L | 7-in reel 3000pcs/reel | $-40\sim 150^{\circ}\text{C}$ | RoHS |

■ **Marking Information**

SIP-3L



SOT23-3L



■ **Typical Application Circuit**

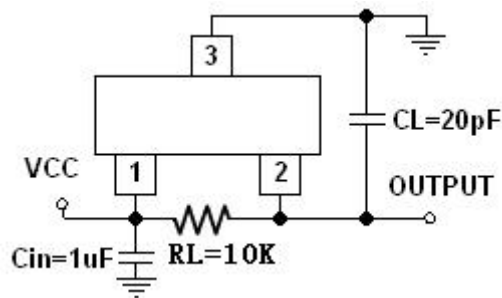
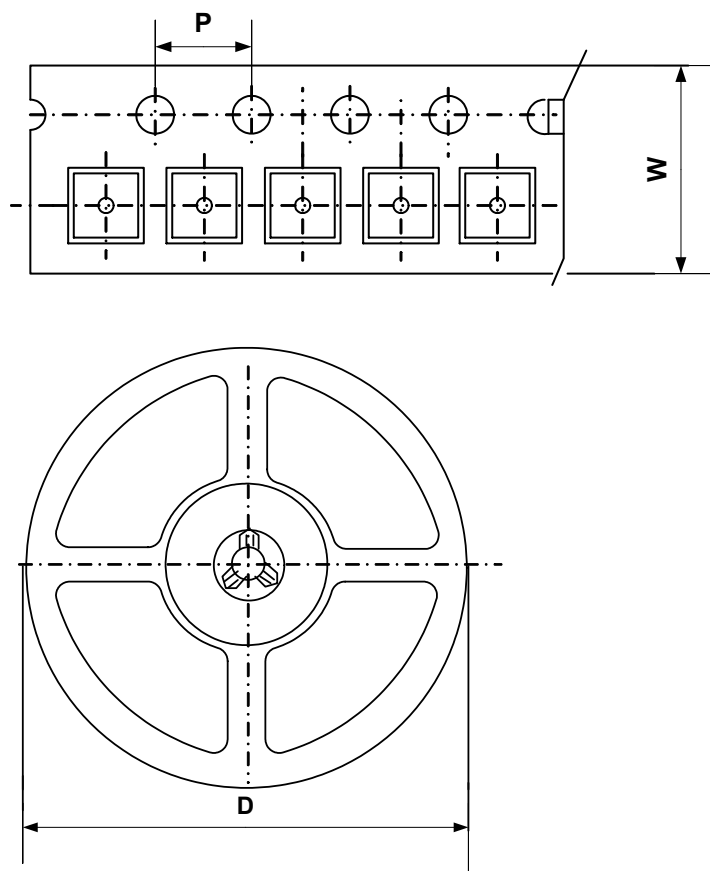


Figure 1, Typical Application Circuit of AS1777

■ **Packing Information**

SOT23-3L



| Package Type | Carrier Width (W) | Pitch (P) | Reel Size(D) | Packing Minimum |
|--------------|-------------------|------------|--------------|-----------------|
| SOT23-3L | 8.0±0.1 mm | 4.0±0.1 mm | 180±1 mm | 3000pcs |

Note: Carrier Tape Dimension, Reel Size and Packing Minimum

■ **Packing Information**

1. Packing type: Bulk
2. Packing minimum: 1000pcs